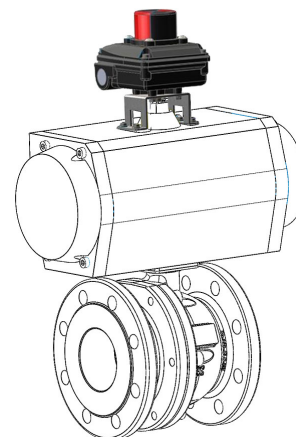
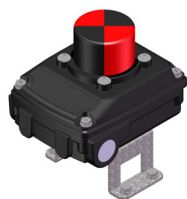
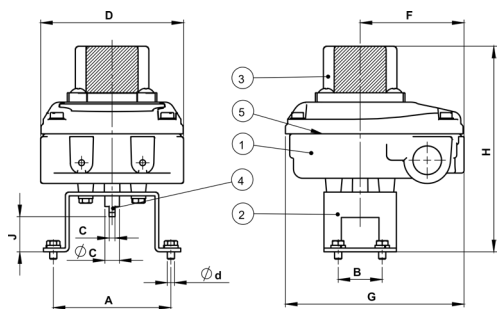


INDIKATOR POLOŽAJA | LIMIT SWITCH BOX POSITIONER



Materiali / Materials

1	Ohišje Body	Al zlitina Cast Aluminium
2	Nosilec Shaft	Nerjavno jeklo AISI300 Stainless Steel AISI300
3	Zunanji indikator External indicator	Policarbonat Polycarbonat
4	Osovina Cams	Nerjavno jeklo AISI304 Stainless Steel AISI304
5	Tesnilni element O-ring	NBR

Art.	A	B	C	ØC	D	F	G	H	J	Teža / Weight [kg]
A046094	75,5 – 81,5	30	4	10	97	71	121,5	140	24	0,7

Opombe

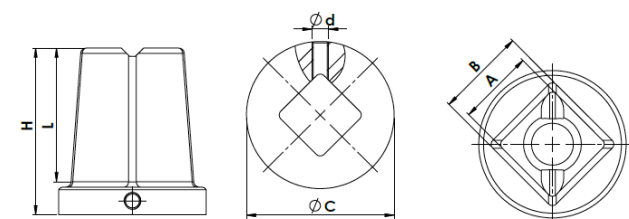
Indikator položaja prirejen za vgradnjo na pnevmatske pogone.
Dobavljiv v ATEX izvedbi.

Notes

Limit switch box positioner is suitable to be mounted directly on pneumatic actuators. ATEX execution is available upon request.

NASTAVEK ZA KLJUČ | SQUARE CAP FOR STEM

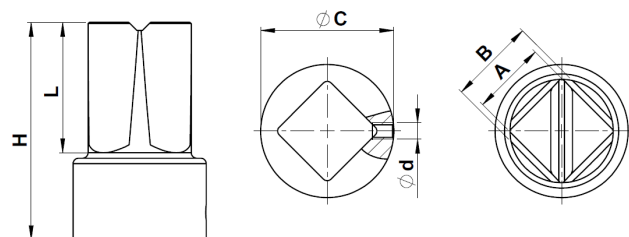
ISO / ISO



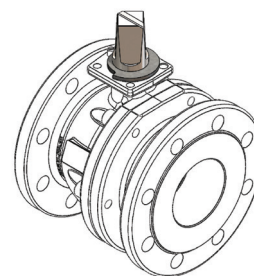
DN25 - DN50



DN65 - DN150



DN200



Materiali / Materials

1	Nastavek Body	Ogljikovo jeklo – ASTM A105 Carbon Steel – ASTM A105
---	------------------	---

Art.	DN	A	B	H	L	ØC	Ød	Teža / Weight [kg]
A954116	DN 25	27	32	55	48	38	M6	0,37
A954118	DN 32-50	27	32	55	48	38	M6	0,36
A954120	DN 65-100	27	32	55	48	38	M6	0,34
A954122	DN125-150	27	32	73	48	44	M6	0,45
A954139	DN200	27	32	80	48	49	M6	0,64